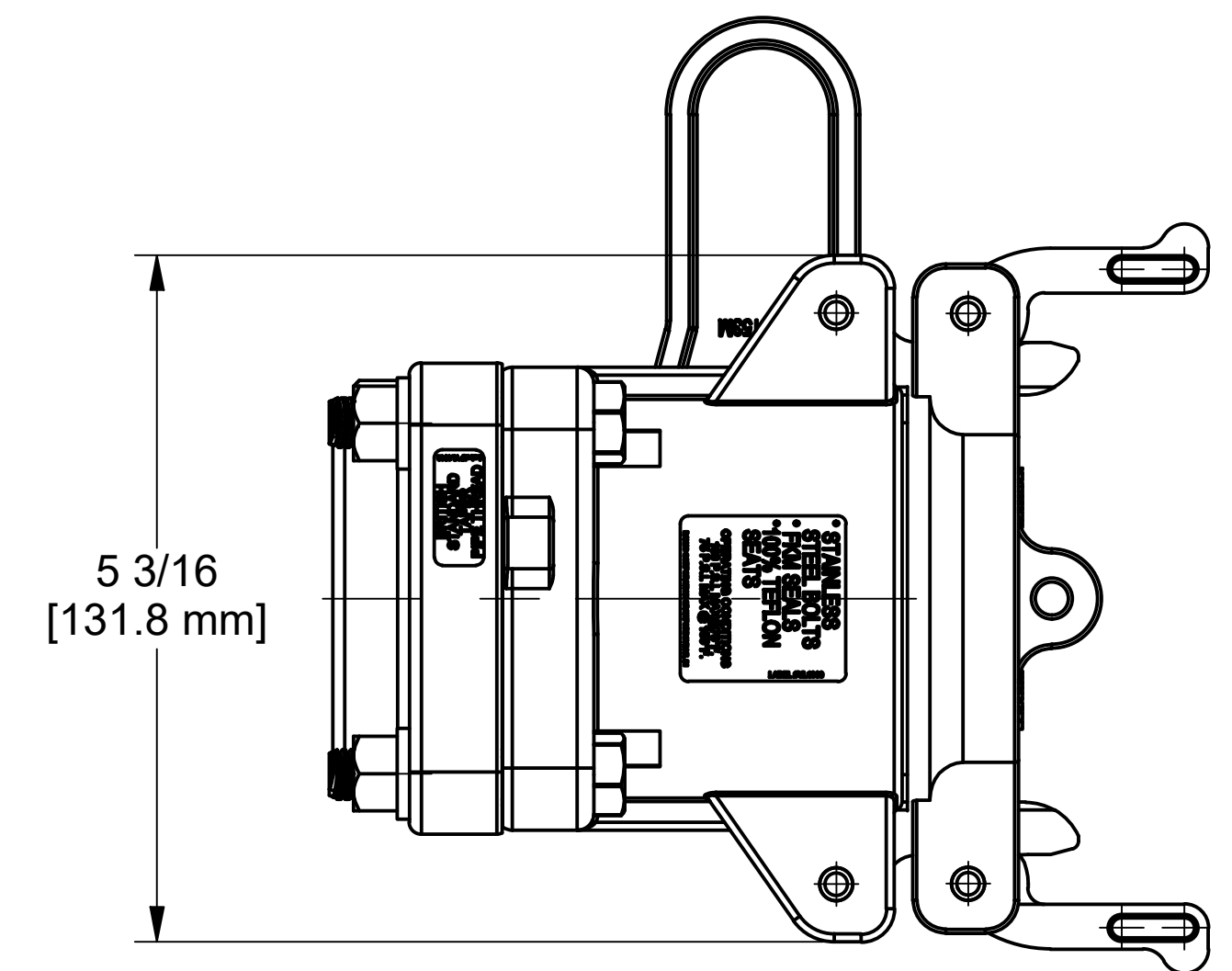
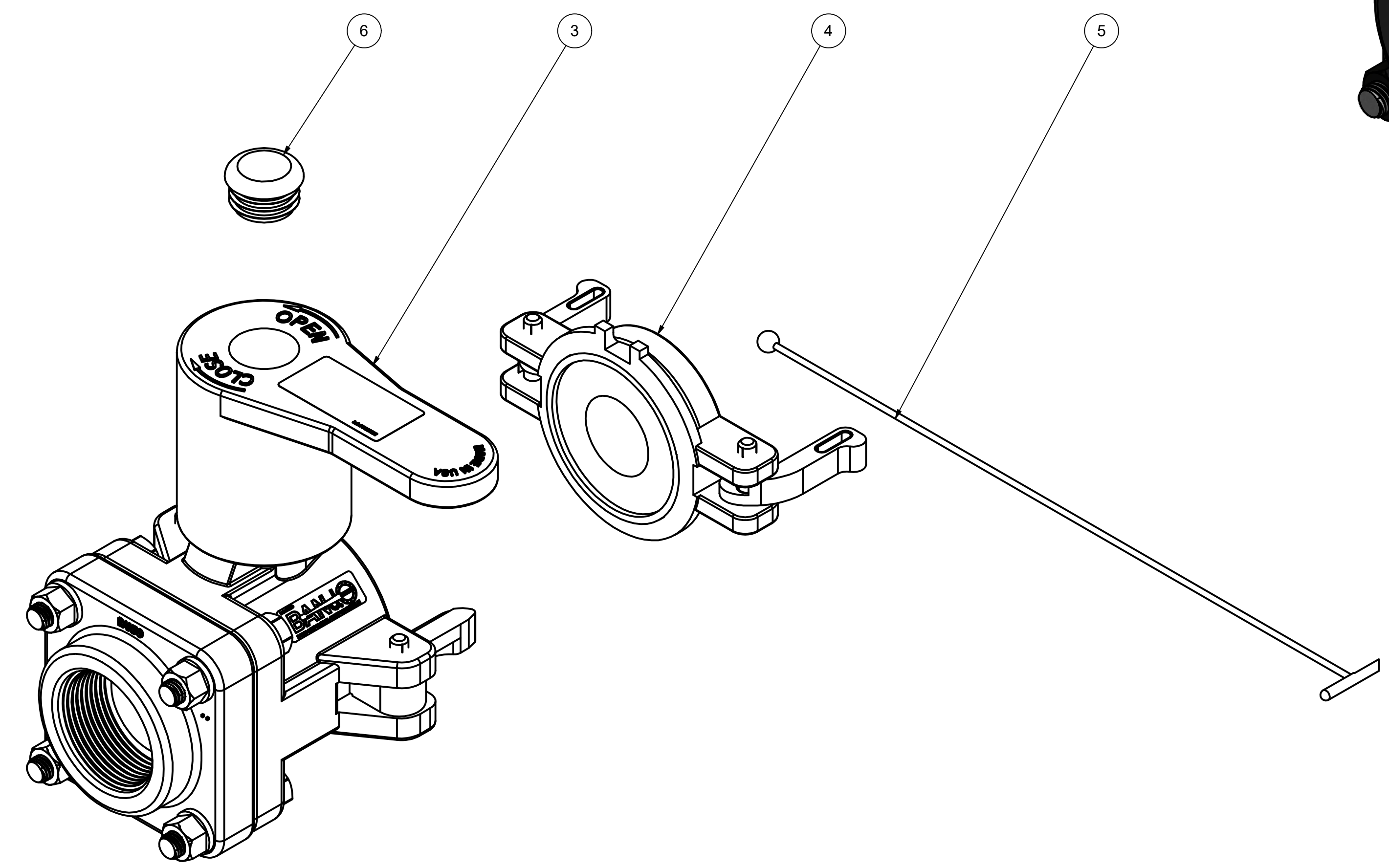
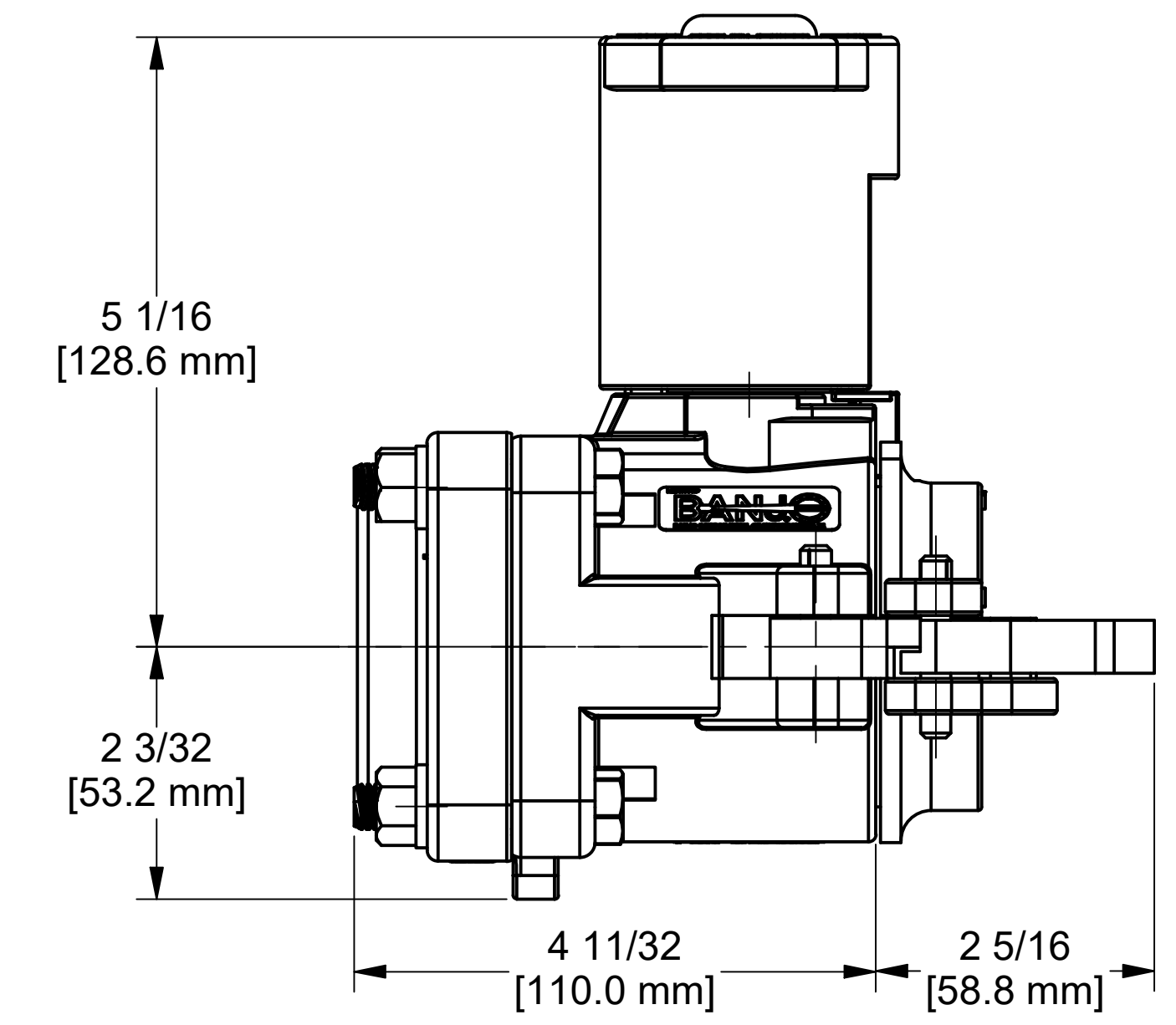
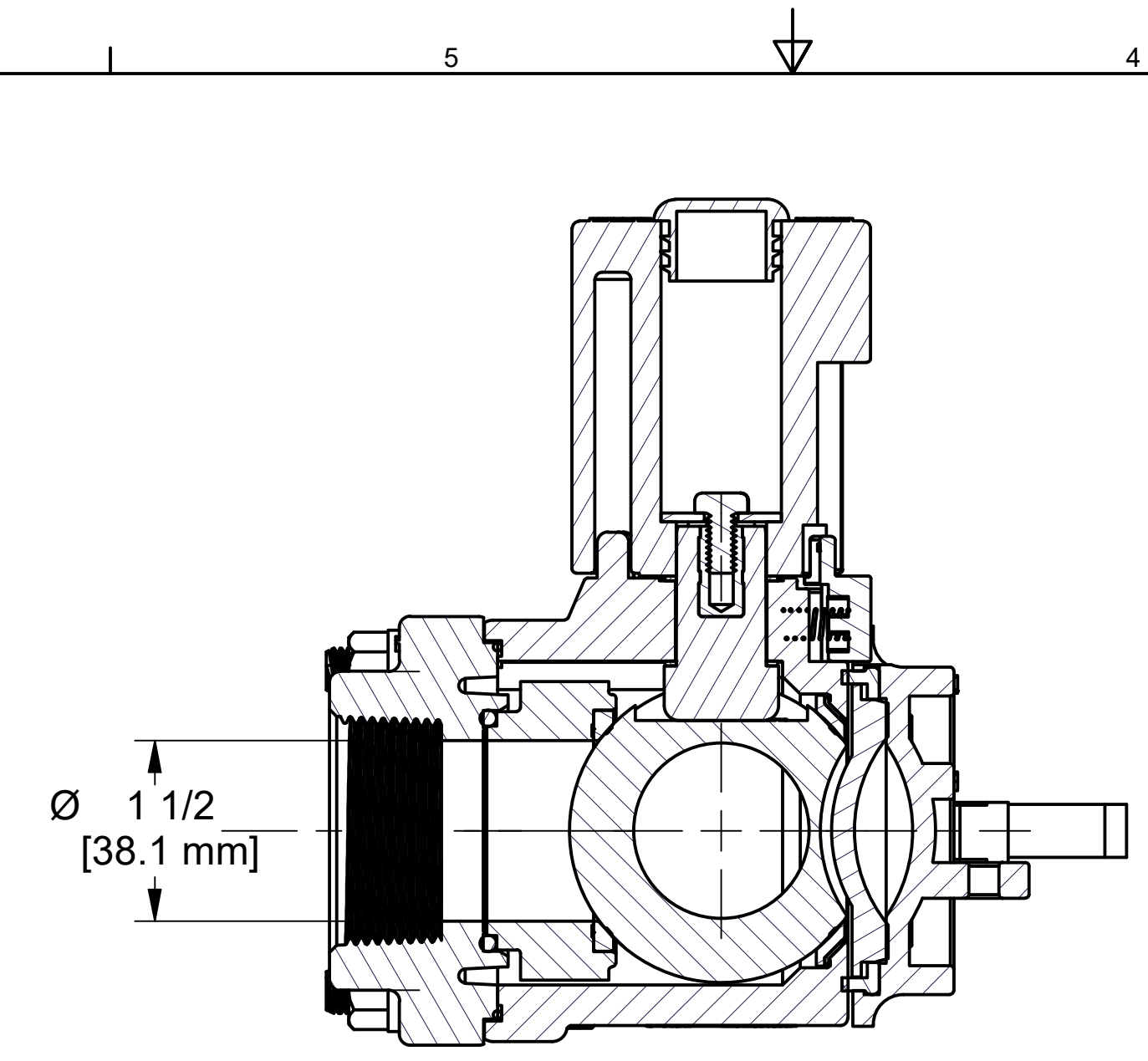
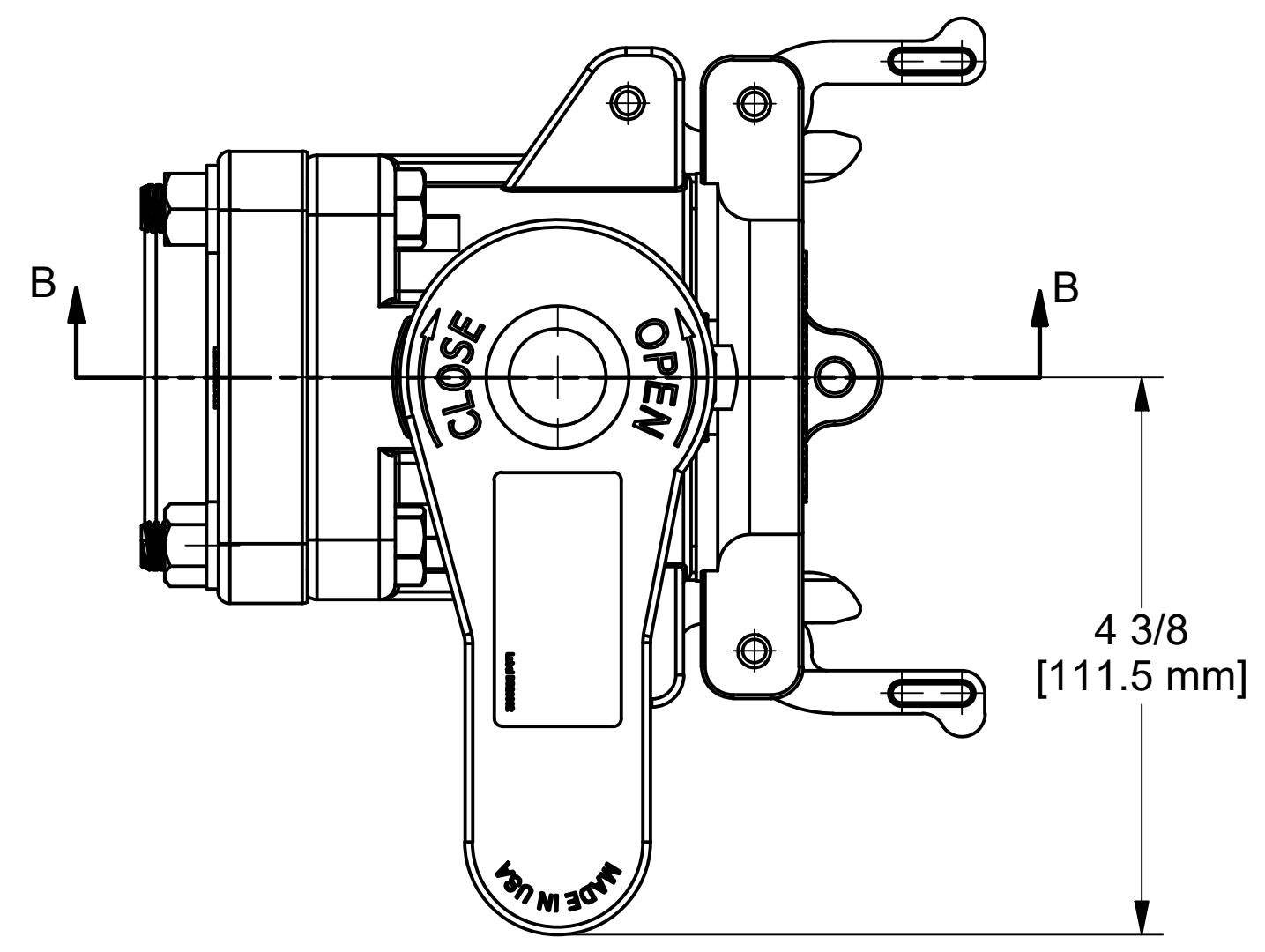


Parts List			
ITEM	QTY	PART NUMBER	DESCRIPTION
3	1	DM150ABX	1 1/2" BSP POLY MALE DRYMATE
4	1	DM200CAP	2" DRYMATE CAP
5	1	V20207A	Polyurethane Lanyard
6	1	V20353C	1 1/8" CAPLUG



THIS DRAWING AND ALL INFORMATION CONTAINED THEREON ARE THE EXCLUSIVE PROPERTY OF BANJO CORPORATION.

UNLESS SPECIFICALLY NOTED, THIS DRAWING AND ITEMS SHOWN ON THIS DRAWING ARE SUBJECT TO CHANGE AT ANY TIME.

BANJO CORPORATION
 150 BANJO DRIVE, CRAWFORDSVILLE, IN 47933
 WEB SITE: WWW.BANJO.CORP.COM
 E-MAIL: BANJOSALES@IDEXCORP.COM

DESCRIPTION
 1 1/2" MALE DRYMATE BSP, FKM

PART NUMBER
 DM150AB